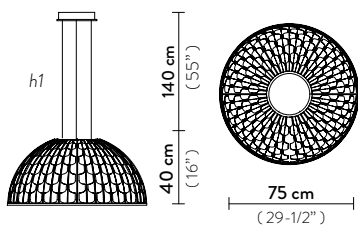
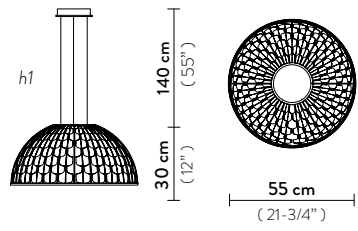


DOME

design by Analogia Project

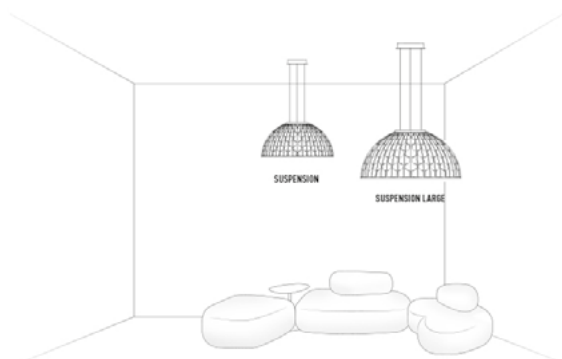
Compendium page 74

PRODUCT	SIZE	COLOUR	CODE
<p>SUSPENSION LARGE</p> <p>LED: 110 ~240V – 20W – 1600 lumen – 2700 Kelvin – CRI >90</p> <p>Dimmable with: 0-10, PWM</p> <p>Made of: Cristalflex®</p> <p>Weight: net Kg 5,0 - gross Kg 7,0</p> <p>Package: 80 x 80 x h.45cm</p>	 <p><i>h1</i>: maximum cable length</p>	<ul style="list-style-type: none"> ■ BLUE ■ GREEN ■ ORANGE 	<ul style="list-style-type: none"> DOM94S0S0003B_000 DOM94S0S0003V_000 DOM94S0S0003A_000
<p>SUSPENSION</p> <p>LED: 110 ~240V – 28W – 2200 lumen - 2700 Kelvin – CRI >90</p> <p>Dimmable with: 0-10, PWM</p> <p>Made of: Cristalflex®</p> <p>Weight: net Kg 2,75 - gross Kg 4,0</p> <p>Package: 60 x 60 x h.35 cm</p>	 <p><i>h1</i>: maximum cable length</p>	<ul style="list-style-type: none"> ■ BLUE ■ GREEN ■ ORANGE 	<ul style="list-style-type: none"> DOM94S0S0001B_000 DOM94S0S0001V_000 DOM94S0S0001A_000


CE IP 20  

CE IP 20  

DOME ENTIRE COLLECTION




ENERGY CLASS

 This luminaire contains built-in LED lamps.

The lamp cannot be changed in the luminaire.

SLAMP: DOME

Energy efficiency scale: A+, A, B, C, D, E. A+, A, and B are marked with green checkmarks. C, D, and E are marked with red X's.

LED 

874/2012